

DAILY E6 CAB CHASSIS SPECIFICATIONS



IVECO

Your partner for sustainable transport

DAILY SPECIFICATIONS 50C SINGLE CAB CHASSIS

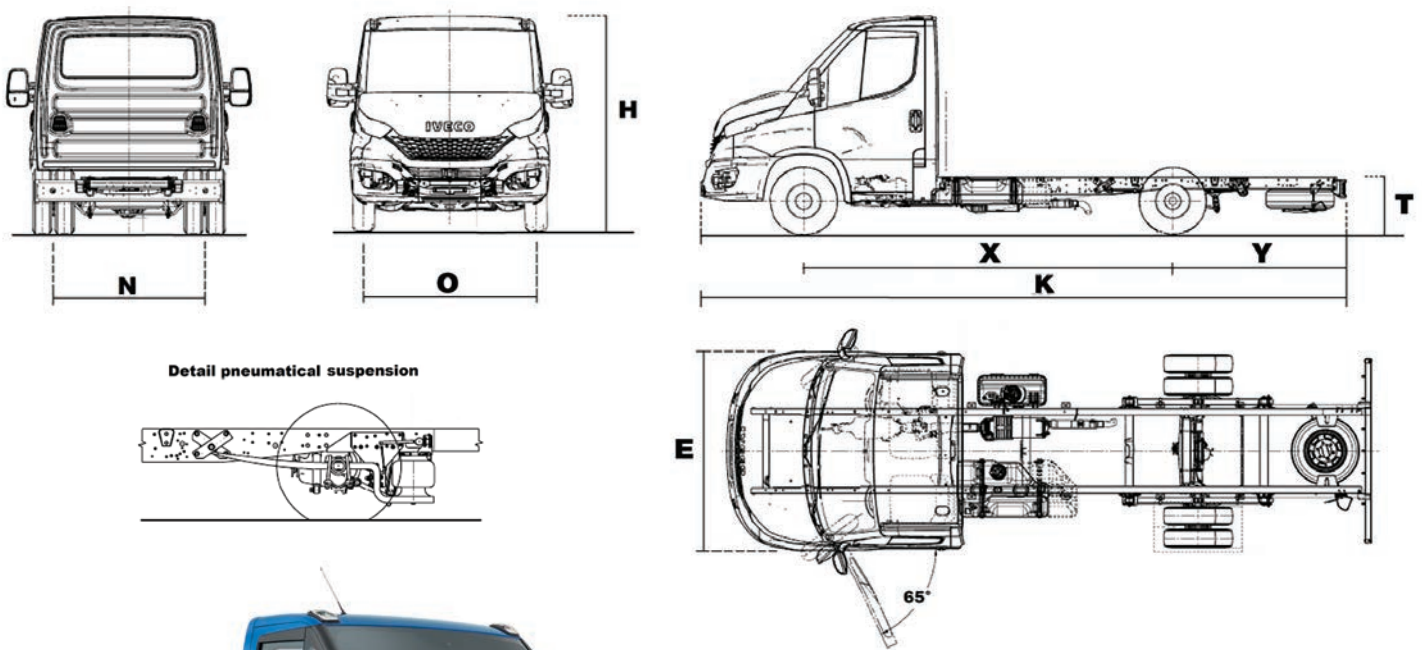
DIMENSIONS (mm)

	50C18 Single Cab Euro VI						50C21 Single Cab Euro VI					
X Wheelbase	3000	3450	3750	4100	4350	4750	3000	3450	3750	4100	4350	4750
K Overall length	5418	5983	6593	6993	7413	8278	5418	5983	6593	6993	7413	8278
Body length	2960	3525	4135	4535	4955	5820	2960	3525	4135	4535	4955	5820
H Overall height – unladen	2279	2270	2264	2261	2257	2252	2279	2270	2264	2261	2257	2252
O Front track	1724	1724	1724	1724	1724	1724	1724	1724	1724	1724	1724	1724
N Rear track	1542	1542	1542	1542	1542	1542	1542	1542	1542	1542	1542	1542
T Unladen frame height at end of frame	820	820	820	820	820	820	820	820	820	820	820	820
Front ground clearance	182	182	182	182	182	182	182	182	182	182	182	182
Rear ground clearance	168	168	168	168	168	168	168	168	168	168	168	168
Y Rear overhang	1370	1485	1795	1845	2015	2480	1370	1485	1795	1845	2015	2480
E Overall width (Cab)	2010	2010	2010	2010	2010	2010	2010	2010	2010	2010	2010	2010
Turning circle kerb to kerb	11116	12526	13466	14564	15348	16604	11116	12526	13466	14564	15348	16604
Turning circle wall to wall	11730	13146	14090	15190	15976	17234	11730	13146	14090	15190	15976	17234

MASS (kg)

	50C18 Single Cab Euro VI						50C21 Single Cab Euro VI					
GVM	4495	4495	4495	4495	4495	4495	4495	4495	4495	4495	4495	4495
GVM option	5200	5200	5200	5200	5200	5200	5200	5200	5200	5200	5200	5200
GCM	7995	7995	7995	7995	7995	7995	7995	7995	7995	7995	7995	7995
GCM option	8700	8700	8700	8700	8700	8700	8700	8700	8700	8700	8700	8700
Towing capacity with braked trailer	3500	3500	3500	3500	3500	3500	3500	3500	3500	3500	3500	3500
Front axle capacity	2100	2100	2100	2100	2100	2100	2100	2100	2100	2100	2100	2100
Rear axle capacity	3700	3700	3700	3700	3700	3700	3700	3700	3700	3700	3700	3700
Kerb mass front axle	1406	1425	1444	1462	1478	1488	1406	1425	1444	1462	1478	1488
Kerb mass rear axle	695	695	691	683	690	702	695	695	691	683	690	702
Kerb mass total*	2101	2120	2135	2145	2168	2190	2101	2120	2135	2145	2168	2190
Payload capacity	2394	2375	2360	2350	2327	2305	2394	2375	2360	2350	2327	2305

*Kerb masses are with minimal fuel, spare wheel, tools and no driver



DAILY SPECIFICATIONS 50C DUAL CAB CHASSIS

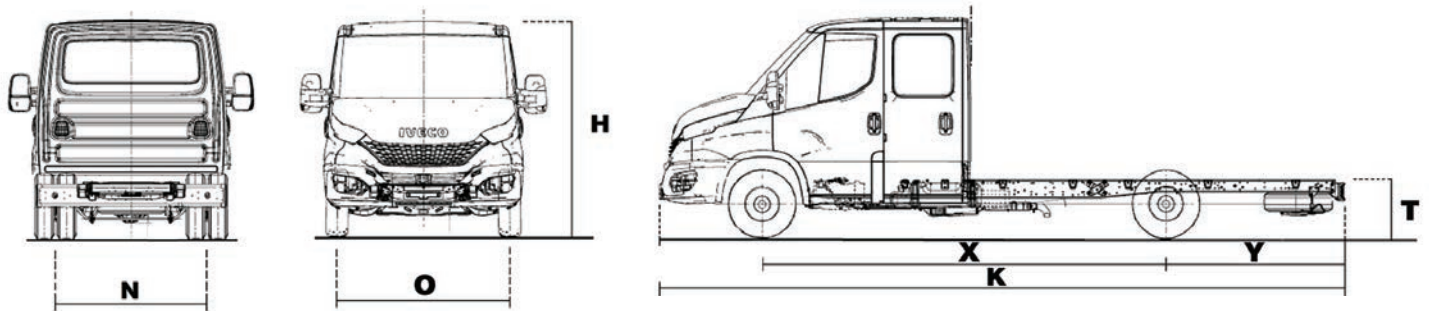
DIMENSIONS (mm)

	50C18 Dual Cab Euro VI				50C21 Dual Cab Euro VI			
X Wheelbase	3450	3750	4100	4350	3450	3750	4100	4350
K Overall length	5983	6593	6993	7413	5983	6593	6993	7413
Body length	2775	3385	3785	4205	2775	3385	3785	4205
H Overall height – unladen	2300	2284	2275	2270	2300	2284	2275	2270
O Front track	1724	1724	1724	1724	1724	1724	1724	1724
N Rear track	1542	1542	1542	1542	1542	1542	1542	1542
T Unladen frame height at end of frame	810	810	810	810	810	810	810	810
Front ground clearance	182	182	182	182	182	182	182	182
Rear ground clearance	168	168	168	168	168	168	168	168
Y Rear overhang	1485	1795	1845	2015	1485	1795	1845	2015
E Overall width (Cab)	2010	2010	2010	2010	2010	2010	2010	2010
Turning circle kerb to kerb	12526	13466	14564	15348	12526	13466	14564	15348
Turning circle wall to wall	13146	14090	15190	15976	13146	14090	15190	15976

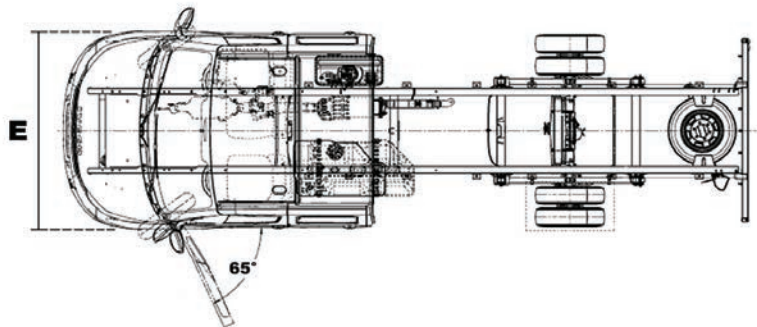
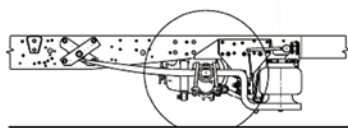
MASS (kg)

	50C18 Dual Cab Euro VI				50C21 Dual Cab Euro VI			
GVM	4495	4495	4495	4495	4495	4495	4495	4495
GVM option	5200	5200	5200	5200	5200	5200	5200	5200
GCM	7995	7995	7995	7995	7995	7995	7995	7995
GCM option	8700	8700	8700	8700	8700	8700	8700	8700
Towing capacity with braked trailer	3500	3500	3500	3500	3500	3500	3500	3500
Front axle capacity	2100	2100	2100	2100	2100	2100	2100	2100
Rear axle capacity	3700	3700	3700	3700	3700	3700	3700	3700
Kerb mass front axle	1534	1556	1580	1602	1534	1556	1580	1602
Kerb mass rear axle	786	778	763	765	784	778	763	765
Kerb mass total*	2320	2334	2343	2367	2320	2334	2343	2367
Payload capacity	2175	2161	2152	2128	2175	2161	2152	2128

* Kerb masses are with minimal fuel, spare wheel, tools and no driver



Detail pneumatical suspension



DAILY SPECIFICATIONS 70C SINGLE CAB CHASSIS

DIMENSIONS (mm)

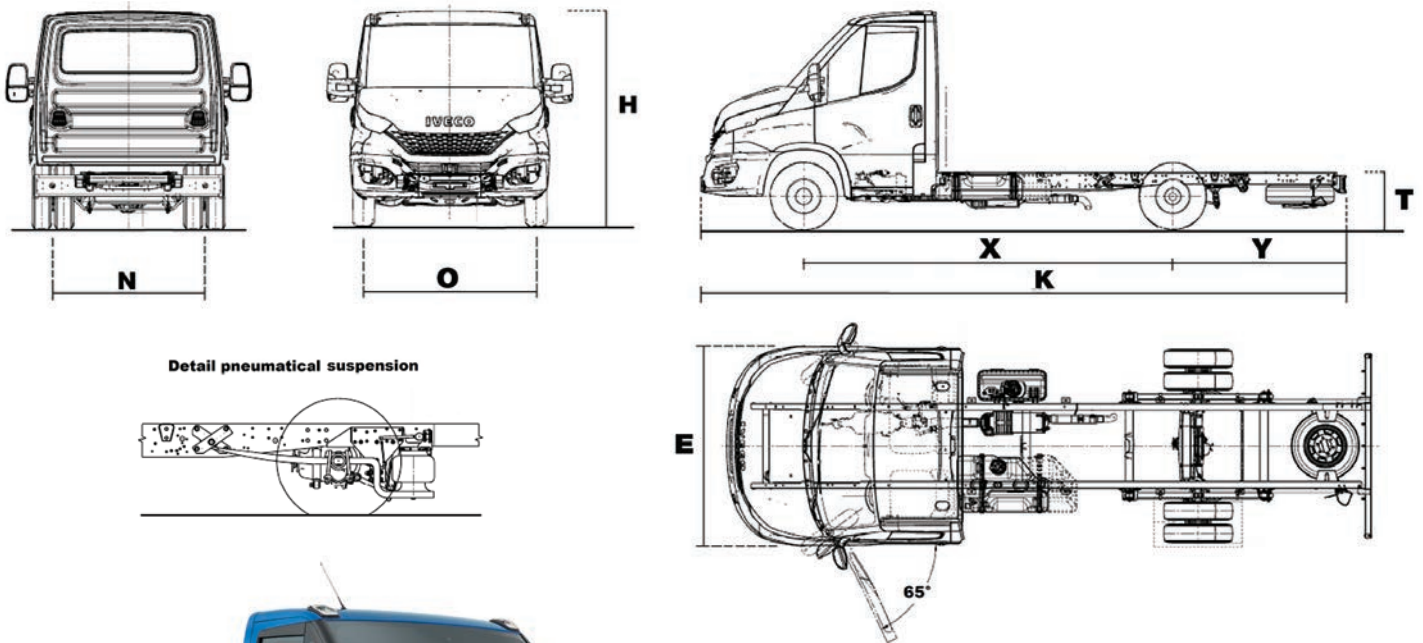
	70C18 Single Cab Euro VI						70C21 Single Cab Euro VI					
X Wheelbase	3450	3750	4100	4350	4750	5100	3450	3750	4100	4350	4750	5100
K Overall length	5983	6593	6993	7413	8278	8278	5983	6593	6993	7413	8278	8278
Body length	3525	4135	4535	4955	5820	5820	3525	4135	4535	4955	5820	5820
H Overall height – unladen	2326	2320	2312	2305	2299	2295	2326	2320	2312	2305	2299	2295
O Front track	1725	1725	1725	1725	1725	1725	1725	1725	1725	1725	1725	1725
N Rear track	1660	1660	1660	1660	1660	1660	1660	1660	1660	1660	1660	1660
T Unladen frame height at end of frame	930	930	930	930	930	930	930	930	930	930	930	930
Front ground clearance	165	165	165	165	165	165	165	165	165	165	165	165
Rear ground clearance	169	169	169	169	169	169	169	169	169	169	169	169
Y Rear overhang	1485	1795	1845	2015	2480	2130	1485	1795	1845	2015	2480	2130
E Overall width (Cab)	2052	2052	2052	2052	2052	2052	2052	2052	2052	2052	2052	2052
Turning circle kerb to kerb	12138	13048	14108	14866	16078	17162	12138	13048	14108	14866	16078	17162
Turning circle wall to wall	12782	13694	14758	15518	16734	17790	12782	13694	14758	15518	16734	17790

MASS (kg)

	70C18 Single Cab Euro VI						70C21 Single Cab Euro VI					
GVM	7000	7200	7200	7200	7200	7200	7000	7200	7200	7200	7200	7200
GVM option	4495	4495	4495	4495	4495	4495	4495	4495	4495	4495	4495	4495
GCM	10500	10700*	10700*	10700*	10700*	10700*	10500	10500	10500	10500	10500	10500
GCM option	7995	7995	7995	7995	7995	7995	7995	7995	7995	7995	7995	7995
Towing capacity with braked trailer	3500	3500	3500	3500	3500	3500	3500	3500	3500	3500	3500	3500
Front axle capacity	2500	2500	2500	2500	2500	2500	2500	2500	2500	2500	2500	2500
Rear axle capacity	5350	5350	5350	5350	5350	5350	5350	5350	5350	5350	5350	5350
Kerb mass front axle	1509	1522	1544	1562	1569	1563	1509	1522	1544	1562	1569	1563
Kerb mass rear axle	919	923	914	927	944	962	919	923	914	927	944	962
Kerb mass total**	2428	2445	2458	2489	2513	2525	2428	2445	2458	2489	2513	2525
Payload capacity	4572	4755	4742	4711	4687	4675	4572	4755	4742	4711	4687	4675

* 10500kg limit if optioned with Hi-Matic transmission

** Kerb masses are with minimal fuel, spare wheel, tools and no driver



DAILY SPECIFICATIONS 70C DUAL CAB CHASSIS

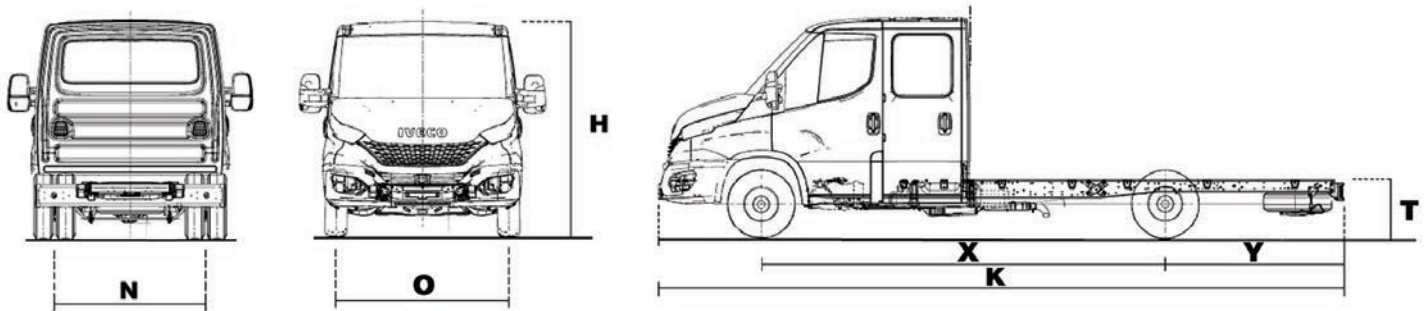
DIMENSIONS (mm)

	70C18 Dual Cab Euro VI					70C21 Dual Cab Euro VI				
X Wheelbase	3750	4100	4350	4750	5100	3750	4100	4350	4750	5100
K Overall length	6593	6993	7413	8278	8278	6593	6993	7413	8278	8278
Body length	3385	3785	4205	4995	4983	3385	3785	4205	4995	4983
H Overall height – unladen	2335	2321	2314	2302	2298	2335	2321	2314	2302	2298
O Front track	1725	1725	1725	1725	1725	1725	1725	1725	1725	1725
N Rear track	1660	1660	1660	1660	1660	1660	1660	1660	1660	1660
T Unladen frame height at end of frame	900	900	900	900	900	900	900	900	900	900
Front ground clearance	179	179	179	179	179	179	179	179	179	179
Rear ground clearance	150	150	150	150	150	150	150	150	150	150
Y Rear overhang	1795	1845	2015	2480	2130	1795	1845	2015	2480	2130
E Overall width (Cab)	2052	2052	2052	2052	2052	2052	2052	2052	2052	2052
Turning circle kerb to kerb	13048	14108	14866	16078	16078	13048	14108	14866	16078	16078
Turning circle wall to wall	13694	14758	15518	16734	17790	13694	14758	15518	16734	17790

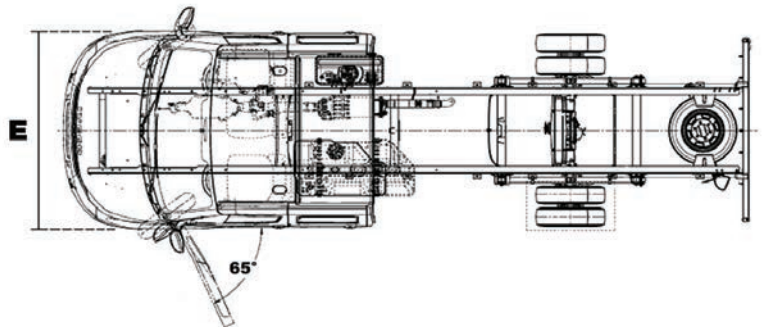
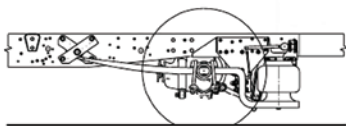
MASS (kg)

	70C18 Dual Cab Euro VI					70C21 Dual Cab Euro VI				
GVM	7000	7000	7000	7000	7000	7000	7000	7000	7000	7000
GVM option	4495	4495	4495	4495	4495	4495	4495	4495	4495	4495
GCM	10500	10500	10500	10500	10500	10500	10500	10500	10500	10500
GCM option	7995	7995	7995	7995	7995	7995	7995	7995	7995	7995
Towing capacity with braked trailer	3500	3500	3500	3500	3500	3500	3500	3500	3500	3500
Front axle capacity	2500	2500	2500	2500	2500	2500	2500	2500	2500	2500
Rear axle capacity	5350	5350	5350	5350	5350	5350	5350	5350	5350	5350
Kerb mass front axle	1638	1666	1688	1702	1701	1638	1666	1688	1702	1701
Kerb mass rear axle	1008	992	1000	1011	1024	1008	992	1000	1011	1024
Kerb mass total*	2646	2658	2688	2713	2725	2646	2658	2688	2713	2725
Payload capacity	4354	4342	4312	4287	4275	4354	4342	4312	4287	4275

* Kerb masses are with minimal fuel, spare wheel, tools and no driver



Detail pneumatical suspension



DAILY SPECIFICATIONS

ENGINE

I80EVID FIC Euro 6 Heavy Duty engine with variable geometry turbine (VGT)

Maximum Output: 132 kW (180 HP) @ 3500 rpm

Maximum Torque: 430 Nm (317 ft-lbs) @ 1500 rpm

Emissions Technology: Exhaust Gas Recirculation and Selective Catalytic Reduction

Total Displacement: FIC: 3.0 litre

Exhaust: Muffler horizontally positioned on the right side and tailpipe located mid-way down right side of vehicle

Optional Engine: 210EVID - Engine FIC 210 Hp EURO 6 Heavy Duty with Electronically-controlled variable geometry turbine (e-VGT).

Maximum Output: 155 kW (210 HP) @ 3500

Maximum Torque: 470 Nm (347 ft-lbs) @ 1500

TRANSMISSION

Standard 6-speed Synchromesh Manual Transmission (manual not available with 210 hp engine option)

Type: 2840.6 OD 1st 5.375, 2nd 3.154, 3rd 2.041, 4th 1.365, 5th 1.000, 6th 0.791 OD, Rev.4.838

Optional Transmission (for 180 hp engine; standard for 210 hp engine): 8-speed ZF Torque Converter Automatic (Hi-Matic 8HP70L)

Type: 8HP70L 1st 4.696, 2nd 3.130, 3rd 2.104, 4th 1.667, 5th 1.285, 6th 1, 7th 0.839 -O.D. 8th 0.667 - D.O.D, rev. 3.297

STEERING

Type: Hydraulic power steering

Diameter: 380 mm diameter steering wheel with telescopic adjustment

CLUTCH

Type: Single dry plate hydraulic control

Diameter: 280 mm (180 hp)

FRONT AXLE & SUSPENSION

Capacity: 2100 kg (50C)

Capacity: 2500 kg (70C)

Suspension Type: Independent with adjustable steel torsion bar (50C and 70C)

REAR AXLE & SUSPENSION

Capacity: 3700 kg (50C)

Capacity: 5350 kg (70C)

Suspension Type: Rear parabolic spring

Optional Suspension: ECAS - Rear air suspension

Rear axle ratio: 50C Single Cab - 3.91: 1

Rear axle ratio: 70C Single Cab - 4.30: 1

Rear axle ratio: 50C Dual Cab - 4.44: 1

Rear axle ratio: 70C Dual Cab - 4.556: 1

Optional Differential: Driver Controlled Differential Lock

SAFETY

- **ESP9** - includes ABS (Antilock Braking System), EBD (Electronic Brake force Distribution), ASR (Anti Slip Regulator), MSR (Motor Drag torque control) Hill Holder (Assisted uphill departure), HBA (Hydraulic Brake Assist), LAC (Load Adaptive Control), TSM (Trailer sway mitigation), RMI (Roll Movement Intervention), ROM (Roll Over Mitigation) & Crosswind assist
- Four SRS airbags
- Advanced Emergency Braking System (AEBS)

BRAKES

Front / Diameter: Disc brakes / 290 mm (50C)

Front / Diameter: Disc brakes / 301 mm (70C)

Rear / Diameter: Disc brakes / 289 mm (50C)

Rear / Diameter: Disc brakes / 306 mm (70C)

Parking brake: Electronic

Service brakes: Full ABS disc brakes with floating calipers with auto wear adjustment.

Hydraulically operated with vacuum servo assistance. Interdependent dual circuit configuration. Low Brake fluid level indicator - front & rear pad wear sensors. Asbestos free pads.

FUEL SYSTEM

100 litres with fuel cap location on passenger side (70 litres on 3000mm wheelbase)

20 litre Adblue

ELECTRICAL SYSTEM

Type: 12V

Battery: 12V-110 Ah (Smart-charging)

Smart Alternator: 12V-220 A

Trailer Wiring: Wiring to rear of chassis

CHASSIS

Type: C Section steel longitudinal side members and tubular cross members

WHEELS & TYRES

Wheels: Steel 5J x R16 (50C); Steel 6J x R16 (70C)

- Spare wheel included - positioned under chassis
- Dual rear wheels

Tyre Size: 195/75 R16 (50C); 225/75 R16 (70C)

CABIN FEATURES

- Driver, passenger and curtain airbags with seat belt pretensioners
- Suspended, heated and fully adjustable driver seat with armrest
- Suspended, heated and fully adjustable passenger seat with armrest (dual cab)
- Bench seat with two occupant capacity, under seat storage and fold down table (single cab)
- Second row seating for up to four passengers (dual cab models)
- Adaptive cruise control
- Electric windows
- Exterior mirrors with integrated wide angle and direction indicators, heated and electronically adjustable
- Overhead console with storage shelf
- Large dual storage pockets in doors
- Document storage compartment
- Body builder connections
- 2 cup and 2x bottle holders
- Air conditioning
- Electronic parking brake
- Ecoswitch Pro
- 2 spotlights
- 4 loud speakers

LIGHTS

- Daytime running lights
- Optional full LED headlights

DASHBOARD

- 3.5" TFT display and silver dial rings
- TFT Display Panel includes: digital speedometer, ADAS (Advanced Driver-Assistance Systems) dashboard, ADAS quick menu, TPMS, oil, battery and service information. Navigation and phone multimedia, fuel economy, trip computer, vehicle settings, display settings and diagnostics.
- Engine oil level display
- Instrument light dimmer switch
- Dash-mounted gear lever
- 3 storage areas on top of dash
- MP3 player, USB and AUX connectivity, Bluetooth with steering wheel controls

SECURITY

- Central locking with remote control
- Steering lock
- Engine immobiliser
- Run Lock Function (Only available if Expansion Module option is selected)



iveco.com.au

IVECO

Your partner for sustainable transport

DAILY OPTIONAL UPGRADE PACKS

HI-BUSINESS PACK

- Hi-Connect multimedia system and GPS navigation
- Open storage with inductive plus USB charge
- Fog lights



FOG LIGHTS



INDUCTIVE CHARGE

HI-COMFORT PACK

- Automatic controlled air conditioning
- Leather covered steering wheel
- Tyre Pressure Monitoring System (TPMS)
- Automatic wipers and headlights control



TPMS DISPLAY



AIR CONDITIONING



HI-TECHNOLOGY PACK – AUTOMATIC TRANSMISSION

- Queue assist
- Lane departure warning
- City brake
- Traction plus and hill descent
- Automatic high beam control



HI-TECHNOLOGY PACK – MANUAL TRANSMISSION

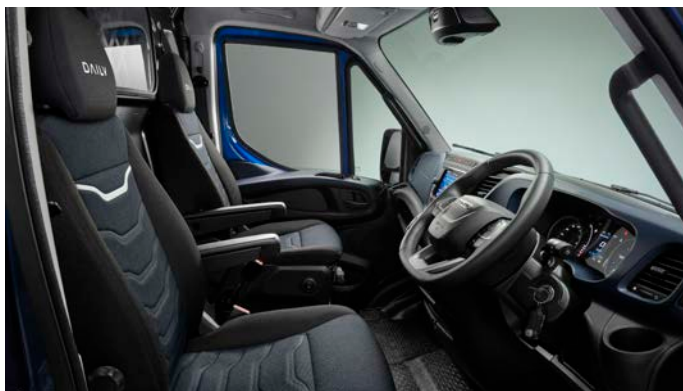
- Lane departure warning
- City brake
- Traction plus and hill descent
- Automatic high beam control

DAILY OPTIONAL UPGRADES

3000 WB
3450 WB
3750 WB
4100 WB
4350 WB
4750 WB
5100 WB
F1C 3.0L engine: 210 hp / 470 Nm
8-speed Hi-Matic Automatic Transmission
3.92 Rear axle ratio
3.6 Rear axle ratio
4.3 Rear axle ratio
ECAS rear air suspension
Passenger seat: heated, suspended, adjustable with lumbar support
Differential lock
Rear step
Expansion module
Third key with remote
Run lock function
Full LED headlights
5.2 tonnes re-rating
4.495 tonnes re-rating

50C Single Cab	50C Dual Cab	70C Single Cab	70C Dual Cab
S	N/A	N/A	N/A
O	S	S	N/A
O	O	O	S
O	O	O	O
O	O	O	O
O	N/A	O	O
N/A	N/A	O	O
O	O	O	O
O	O	O	O
N/A	O	N/A	N/A
N/A	O	N/A	N/A
N/A	N/A	N/A	O
O	O	O	O
O	S	O	S
O	O	O	O
O	O	O	O
O	O	O	O
O	O	O	O
O	O	O	O
O	O	O	O
O	O	O	O
O	O	N/A	N/A
S	S	O	O

O – Optional **S** – Standard N/A - Not Available



IVECO TRUCKS AUSTRALIA LIMITED ABN 86 004 065 061 PRINCIPLES HIGHWAY DANDENONG VICTORIA 3175 PO BOX 117 DANDENONG VICTORIA 3175 TELEPHONE (03) 9238 2200 WWW.IVECO.COM.AU THE INFORMATION IN THIS DOCUMENT WAS CORRECT AT THE TIME OF PRINTING THE DATA IN THIS DOCUMENT IS APPROXIMATE IF AN EXACT WEIGHT OR DIMENSION IS REQUIRED PLEASE CONTACT YOUR LOCAL AUTHORIZED IVECO DEALER ALWAYS CONSULT AN AUTHORIZED IVECO DEALER FOR THE LATEST INFORMATION ON THE VEHICLE BEFORE DECIDING TO PLACE AN ORDER OVERSEAS IMAGES ARE SHOWN THROUGHOUT THIS DOCUMENT AND IMAGES MAY REFER TO EQUIPMENT THAT IS OPTIONAL THE MODELS DESCRIBED CAN BE SUBJECT TO MODIFICATIONS WITHOUT ANY NOTICE BY THE MANUFACTURER IVECT0033-01/2021